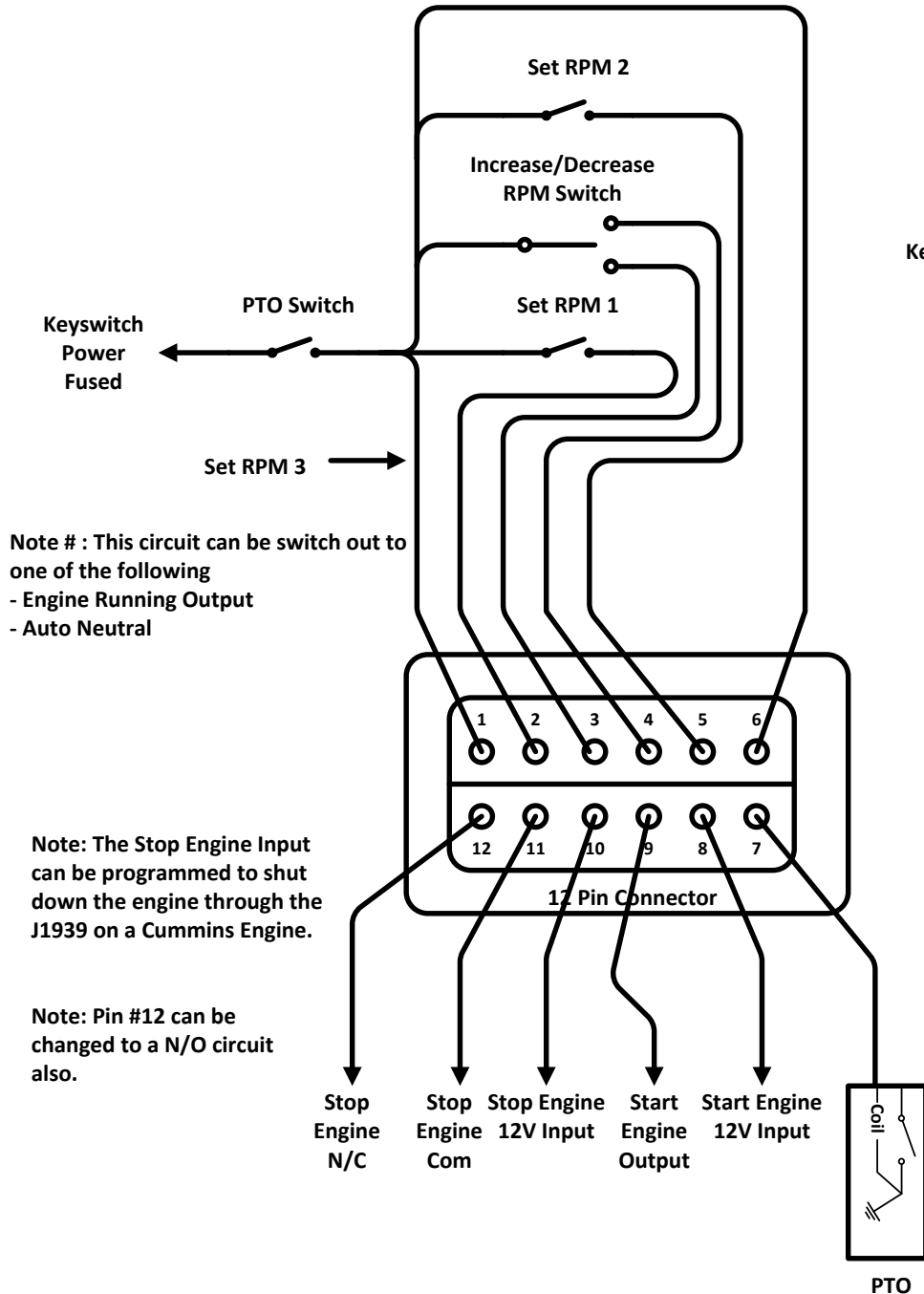


## EDR 1 J1939 Installation Guide

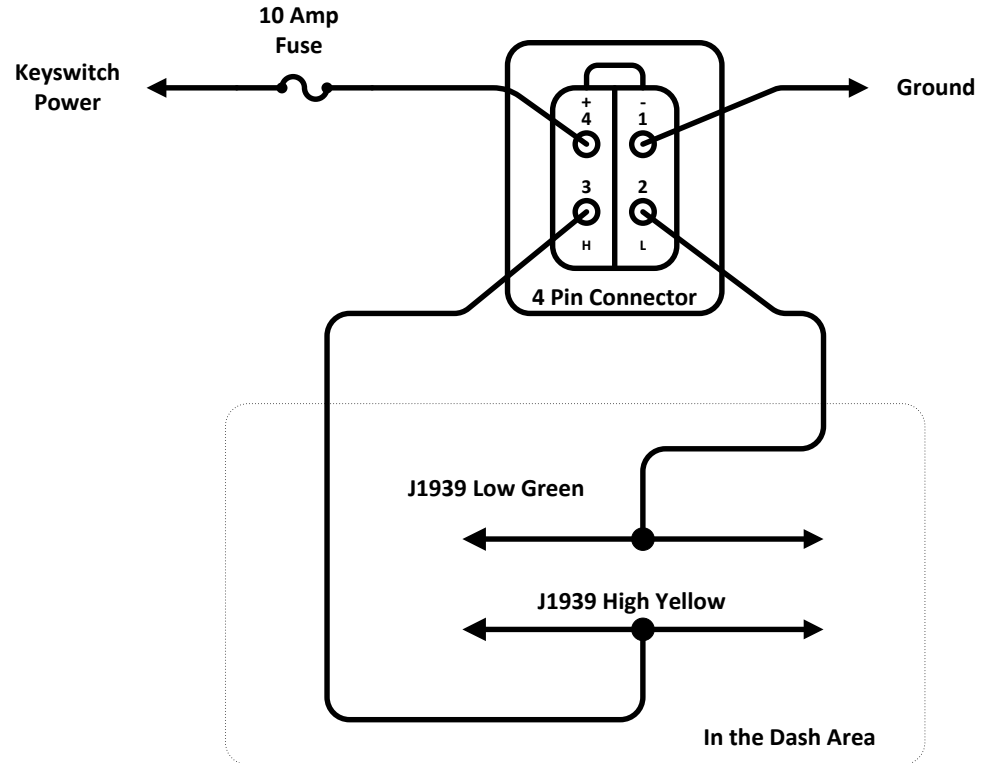


Note # : This circuit can be switch out to one of the following

- Engine Running Output
- Auto Neutral

Note: The Stop Engine Input can be programmed to shut down the engine through the J1939 on a Cummins Engine.

Note: Pin #12 can be changed to a N/O circuit also.



The J1939 wires are usually yellow and green. Refer to the ITF drawing for the J1939 interface with the vehicle.

Note: It is important that you test this circuit after you make your connections, to make sure that the ohm reading between the High (Yellow wire) and Low (Green wire) is between 50 to 70 ohms. This is tested with the Keyswitch in the off position.