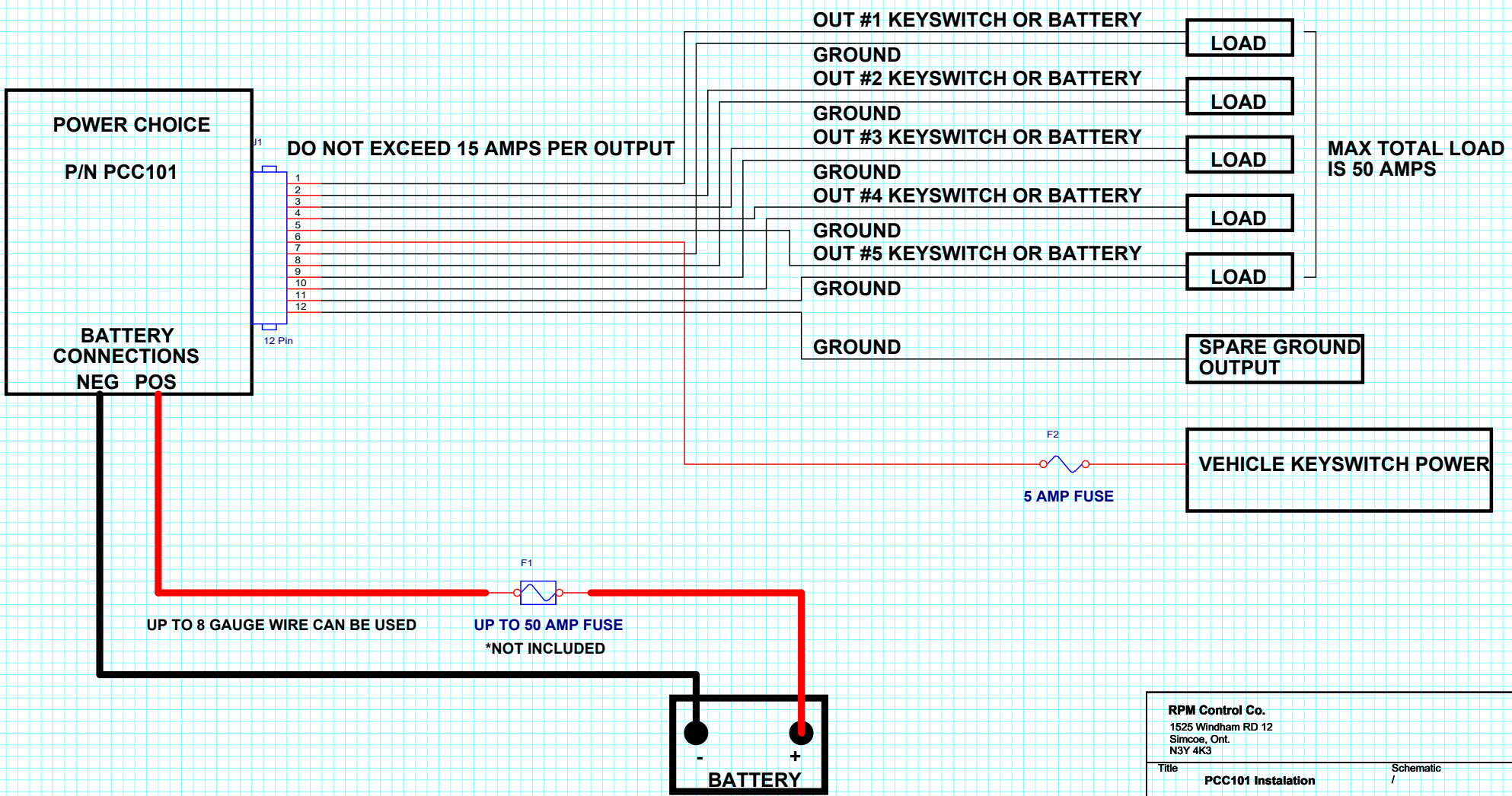


# POWER CHOICE POWER MANAGEMENT CONTROLLER



<b>RPM Control Co.</b> 1525 Windham RD 12 Simcoe, Ont. N3Y 4K3			
Title		Schematic	
PCC101 Instalation		/	
Size	Document Number	Contract Number	Rev
B	EMA-12345678	US987654	A
Date:	Wednesday, July 22, 2020	Sheet	1 of 1